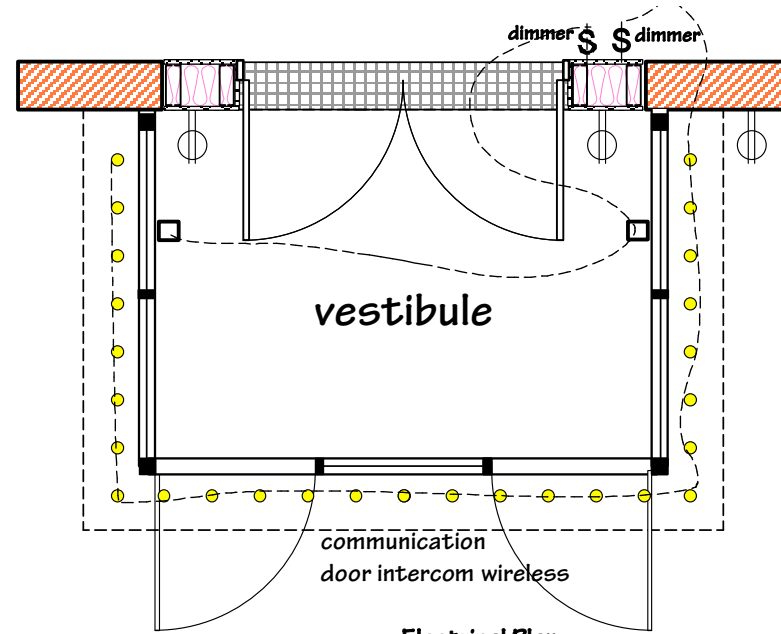
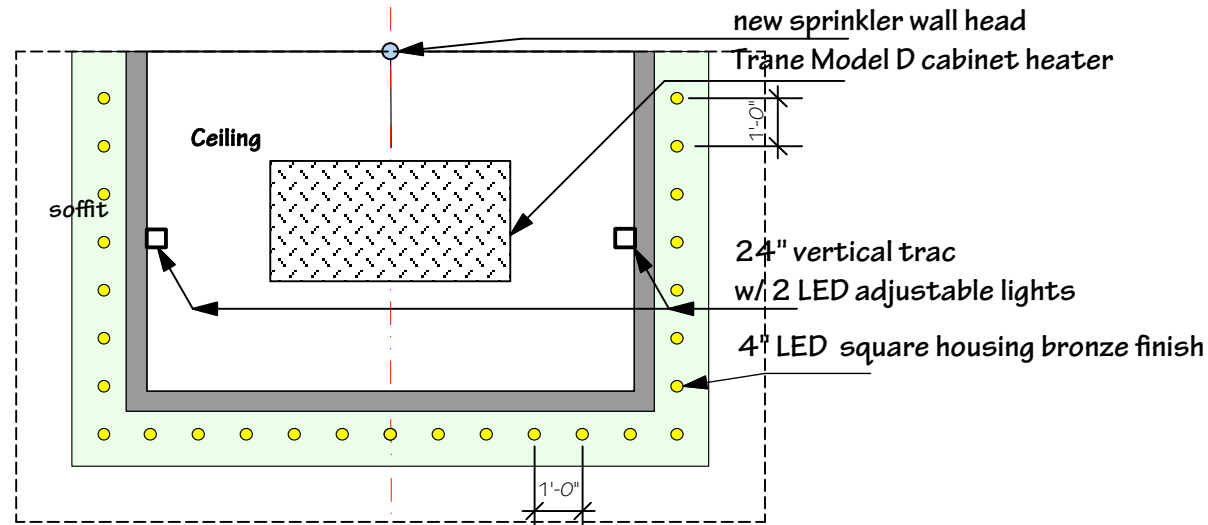


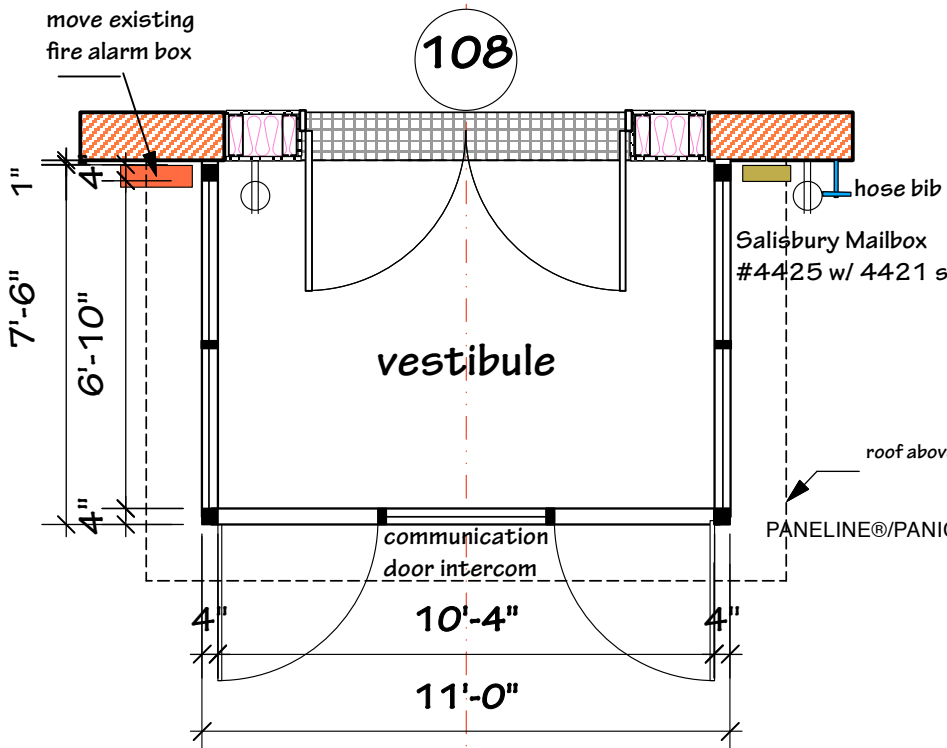
Roof Plan



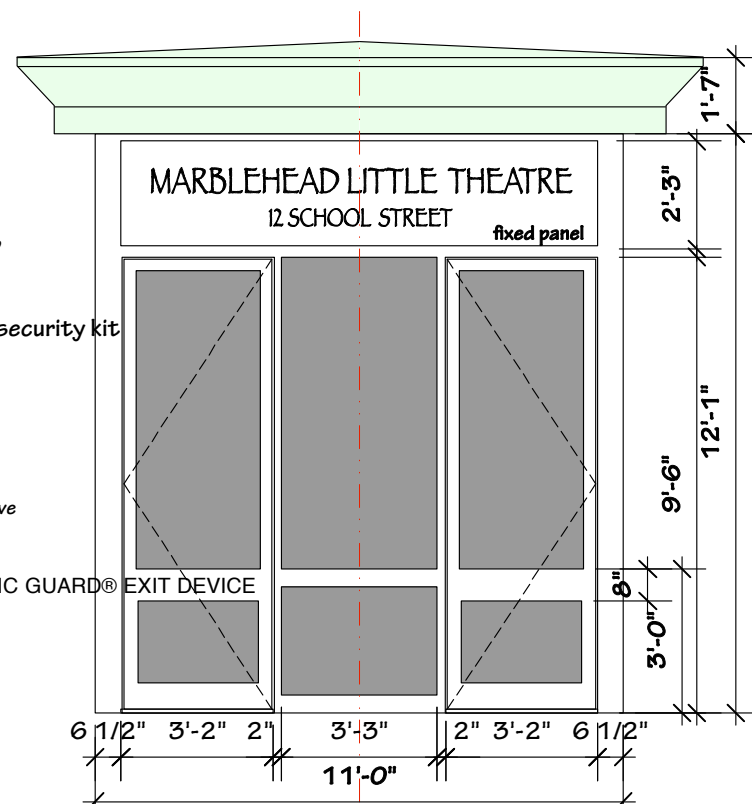
Electrical Plan



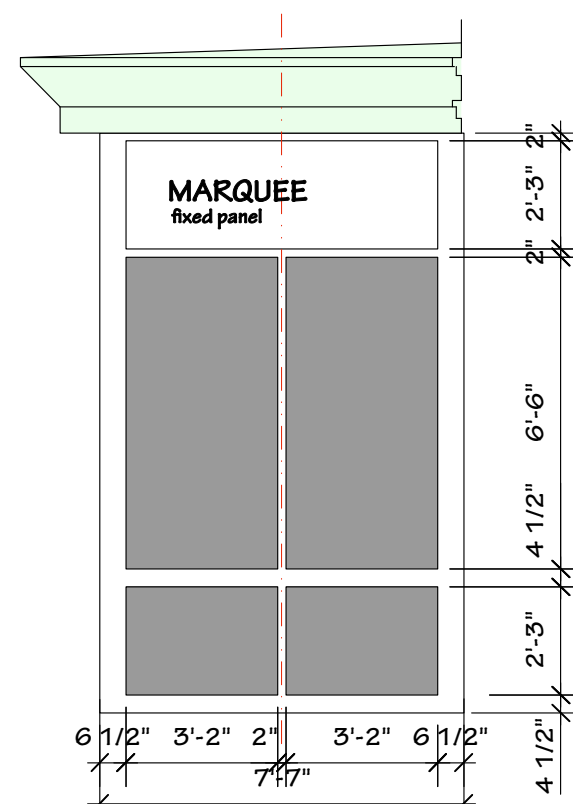
Ceiling Plan



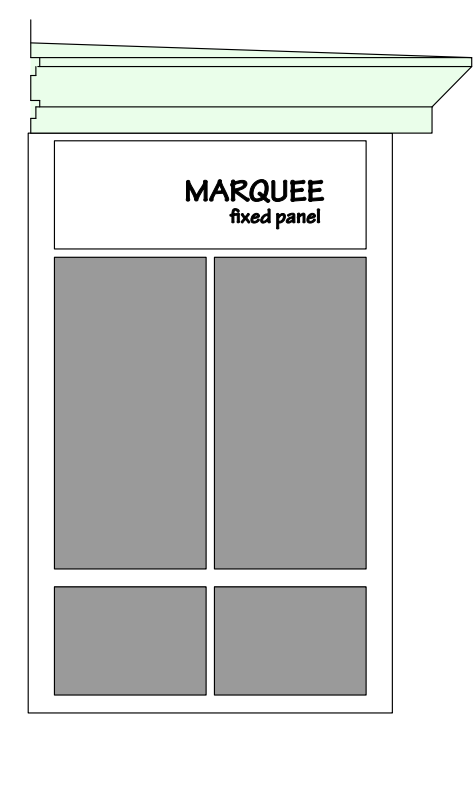
Floor Plan



North Elevation



East Elevation



West Elevation

Revisions 28 April 2011
 Addendum # 26 January 2011
 Addendum # 31 December 2010

MARBLEHEAD LITTLE THEATRE OLD FIREHOUSE: NEW VESTIBULE	DATE: 14 December 2010	DRAWN BY: DRB CHECKED BY: DRB
	SCALE:	
12 SCHOOL STREET MARBLEHEAD, MASSACHUSETTS 01945	Vestibule COPYRIGHT 2010 BERNER ARCHITECTS The design of this building is the exclusive property of Berner Architects and the use of these plans without their written permission is prohibited.	
Office: 508-997-4420 Mobile: 781-367-9428		
 BERNER ARCHITECTS 8 POND STREET MARBLEHEAD MA 01945		